



Sarir Oil Operation

Pre-qualification invitation

Publication date of this advertisement: 23/11/2023

End date of this advertisement: 10/12/2023 at exactly 03:00 PM Libya time.

Tender No.	TC-ENG-06-2023
Projects Title	Tie-in New Disposal Well B13 at ASARAH station

The Sarir Oil Operations Company announces its invitation to specialized local and foreign companies that have the ability and competence to provide the services listed below to submit a comprehensive file, including all required conditions and qualifications, to be evaluated and pre-qualified. Companies that meet the requirements will be invited to the tender.

Prequalification No.: TC-ENG-06-2023 / **Tie-in New Disposal Well B13 at ASARAH station**

Brief Scope of work (SOW)

The Sareer Oil Operations Company intends to convert the existing production well B13 to a disposal well. Therefore, a new buried pipeline made of GRE material need to be constructed to connect the water disposal system in the SWD plant and the well B13. The approximate length of the pipeline is 4200 m. The new GRE pipeline shall tie into the 10" disposal line upstream of the existing Scraper Launcher PL-10-02R located within boundary limits of the As Sarah Station. It shall be designed for pigging service. The new connection facilities shall be designed for a flow rate of 35.000 bwpd with an expected pressure 8 of barg at upstream the pressure control valve located at the well head (see Figure 2.1).

- Nominal pipe size: 10"
 - Length: approx. 4.2 km
 - Material: GRE line Pipe
 - Design pressure: 17.5 barg
 - Design temperature: 90°C
- Scraper stations at both ends of the pipeline
- Fiber Optic cable.
- Electrical power cable and wirings.
- Associated instrumentations and electrical facilities.

H3

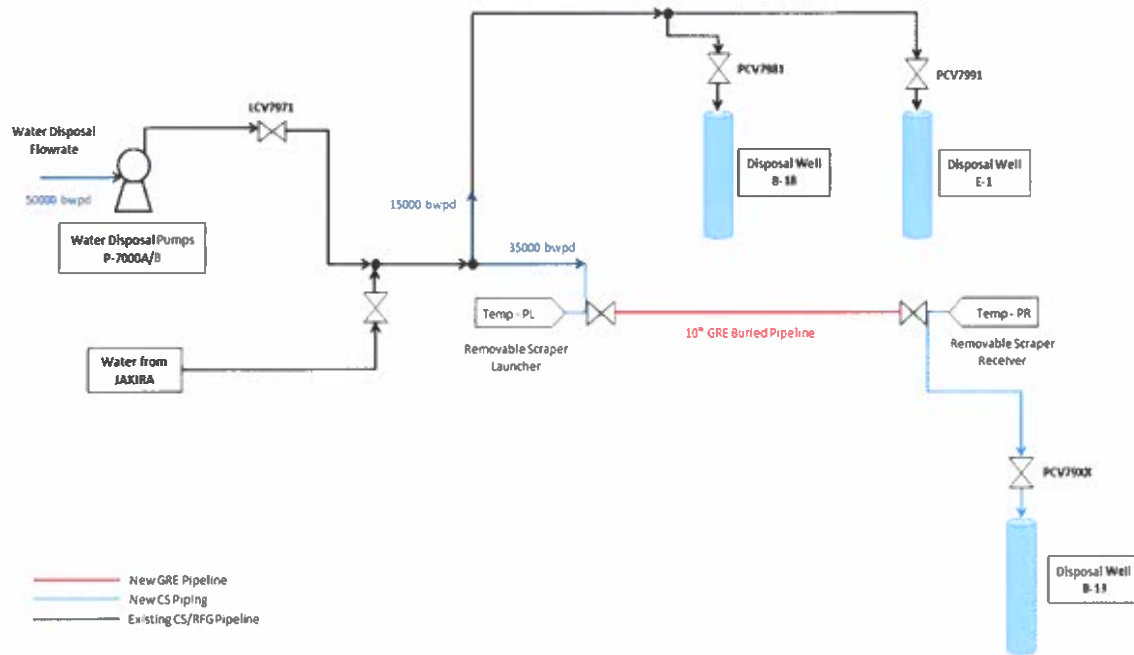


Figure 2.1 – Process Scheme of New Water Disposal Pipeline

Conditions and requirements for participating in the pre-qualification process:

All companies wishing to apply for pre-qualification mentioned above must meet all conditions and provide all the required electronic information and documents specified in this announcement, knowing that any deficiency in the required documents detailed below will result in automatic exclusion from participating in this Pre-qualification.

1. An official letter on your company letterhead addressed to the head of the tender committee at Al-Sarir Oil Operations Company containing the following basic information:
 - Clarification of your company's intention to participate in this prequalification tender either individually or jointly with another company.
 - The name and number of the desired Pre-qualification tender to be participated in.
 - The full official name(s) of the company (or companies) applying to participate, their date of establishment, the name of the company representative, official email addresses of the company and phone numbers.
 - In case of joint participation in this tender between two or more companies, the participants must specify the role of each of them in detail in this letter, including specifying responsibilities related to points of contact, task distribution, management responsibilities and duties. They must also seal and sign this letter together.

HB



السرير للعمليات النفطية بي. في. فرع ليبيا
Sarir Oil Operations B.V. Libya Branch

- Print this announcement and stamp all its pages with your company's seal, then send an electronic copy to us with the required documents.
- 2. Fill in the Letter of Intent (LOI) form and Prequalification Submission Request Form as well as the attached evaluation questionnaire and submit them along with the attached files.
- 3. Submit the following electronic documents and materials according to the method indicated at the end of this announcement: -

Complete Legal File (in Arabic and English): Providing all necessary licenses and legal documents indicating registration in Libya, valid for at least six (6) months from the date of the announcement.

These documents include:

- ✓ Commercial register, chamber of commerce registration, commercial or industrial activity license, and tax payment certificate.
- ✓ Ministry of Economy approval if required.
- ✓ Company establishment contract, minutes of the founding meeting, articles of association, and any licenses relevant to the advertised tender.
- ✓ A written undertaking from your company confirming the full alignment between the licensed business activity and the one stated in your company's purpose, and with the scope of work advertised in this announcement.
- ✓ Submission of documents showing the establishment of a joint venture in accordance with the applicable laws in Libya, whether between a local and foreign entity or between two local entities. All parties to the joint venture must submit their registration documents in Libya.
- ✓ Submission of solidarity agreements (if any) certified by relevant authorities, containing commitments by the co-obligors collectively or individually to perform all required work and services, and identifying the legal representative of the co-obligors.

If the above-mentioned legal documents are not ready before the end date of this announcement (which will negatively affect your participation in this tender), you must send an official letter addressed to Sarir Oil Operation Company explaining the deficiencies in detail, the reason for not submitting them, and the commitment to submitting all these legal documents in full and correctness in the next phase of this tender (in case you pass the pre-qualification stage).

Complete financial file (in either Arabic or English and in one of the following currencies only: Libyan Dinar, US Dollar, or Euro). Submit documents indicating the company's financial position (for the last three years, which are 2022, 2021 and 2020), certified by an external financial auditor. These documents include (general budget report, income statement report, and cash flow report for all individual or collective participating companies). These reports must be in either Libyan Dinar, US Dollar, or Euro. These documents will not be accepted in any other language or currency other than those mentioned above.

43



السرير للعمليات النفطية بي. في. فرع ليبيا Sarir Oil Operations B.V. Libya Branch

The HSEQ file, in English, contains:

- ✓ Safety manual, procedures, policies, and regulations approved by your company in the fields of health, safety, environmental protection, and quality.
- ✓ Official letter from your company addressed to Sarir Oil Operation company confirming your commitment to applying all health, safety, environmental protection, and quality standards, procedures, and regulations followed in Sarir Oil Operation company.
- ✓ Relevant international certificates and quality certificates (ISO) owned by your company.

The technical file, in both Arabic and English, contains:

- ✓ Sending documents, certificates, and documents indicating previous experience in the required work to be carried out in this advertisement, whether this experience was within Libya or abroad for a period of at least three years.
 - ✓ Sending your written commitment to follow all local and international specifications, standards, technical requirements, government laws, and industry and technological recommendations applicable.
4. No documents in any language other than Arabic or English will be accepted.
 5. To ensure your opportunity for pre-qualification for this tender, all required electronic documents and files must be submitted without any omissions (in the form of four compressed electronic folders named "Legal File", "Financial File", "HSEQ File", and "Technical File" as stated above).
 6. In case of incomplete or non-compliant submission according to the specifications detailed in this announcement, this automatically means the loss of your opportunity for pre-qualification for this tender.

How to respond to this advertisement:

- This pre-qualification invitation is not an invitation to participate in the mentioned tender, and the company is not obligated in any way to issue this tender or invite any of the pre-qualified participants to be included in the final list of companies that will be invited to participate in the tender.
- Sarir Oil Operations Company reserves the right to reject any and/or all companies at its own discretion. This action by the company must be final and cannot be objected to or challenged by any participant.
- The company will only deal with individuals officially authorized by the companies applying for pre-qualification.
- The company has the right to extend the deadline for submitting bids for another period if necessary. The additional period will be automatically announced on the company's website and the National Oil Corporation website.

MB



السريـر للنفطيات العظية بي. في. فرع ليبيا
Sarir Oil Operations B.V. Libya Branch

- All expenses incurred regarding this invitation, regardless of their nature, for the purpose of preparing and submitting pre-qualification documents, including visits if any, must be borne by the companies intending to participate in this competition.

Participation:

The required files are submitted and sent as follows:

Electronic copy to the email address: (Sarir.TenderCommittee@sarir-oil.com)

Hardcopy to the company address: -

Corinthia Commercial Centre in Tripoli, with the following details:

Sarir Oil Operations, P.O. Box 469, 905, and 91050.

Phone No.: 3350140 - 7.

M/B